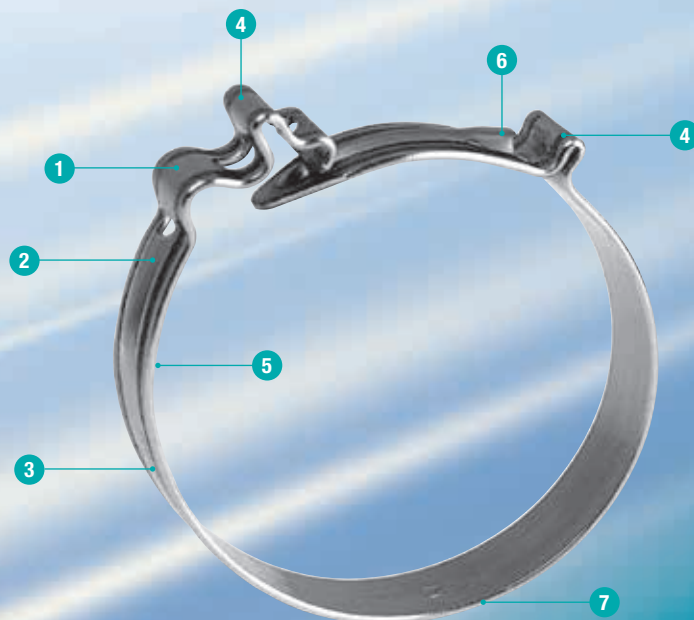


NORMACLAMP® COBRA

One-piece hose clips

NORMACLAMP® COBRA products are bolt-free, one-piece hose clips. Their low overall height enables precise installation in even the tightest of spaces. NORMACLAMP® COBRA clamps are quick and easy to install.

- 1 Self-adjusting diameter**
 - Compensation for tolerances at the outer diameter of the hose
- 2 Bead**
 - Secure band guidance
- 3 Colour-coding**
 - a rapid way of visually distinguishing between nominal diameters
- 4 Protruding tool gripping points**
 - easy and safe installation
- 5 Date of manufacture and machine number indicated**
- 6 Single lock-in point**
 - installation indicator for easy visual checking
- 7 Band material with rounded outer edges**
 - hose protection



Advantages at a glance

- Bolt-free hose clip in one piece
- Quick, easy and safe installation
- Maintenance-free fit

Applications

- Machine building
- White goods
- Chemical industry
- Irrigation systems
- Food and beverage industry
- Agricultural machines
- Engine manufacturing
- Pump and filter
- Suction lines
- Ventilation lines
- Washing machine hoses
- Pneumatic lines

NORMACLAMP® COBRA

Materials

W1	W2	W3	W4	W5
			x	

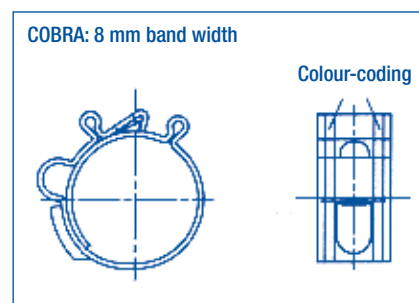
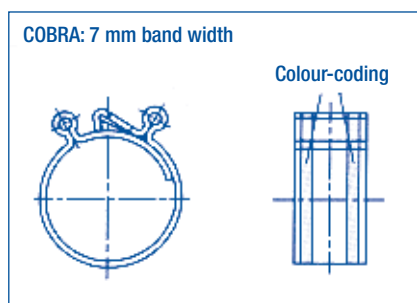
Material	Corrosion resistance in salt spray testing
W4	Min. 240 h

Ordering information

When submitting requests and orders, please specify the data in the following way

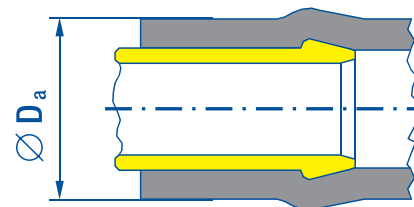
	1. Type	2. Nominal diameter	3. Band width	4. Material
Example	COBRA	7.5/	7	W4

Colour-coding



Selecting the right nominal diameter

- Push the hose onto the spigot and measure the outer diameter D_a .
- The applicable nominal diameter d_1 is then matched to this outer diameter D_a .



If required, we can send you an appropriate template before you place your order.

If you have any additional, application-specific questions, we will be happy to advise you in more detail.

NORMACLAMP® COBRA

NORMA® professional tools

For professional installation work, we have three types of pliers to choose from.

NORMACLAMP® COBRA Hand-held pliers

These hand-held pliers enable precise installation and removal. The tips of the plier head enable a secure grip on the clip's tool gripping points. The integrated smooth-running spring element keeps the pliers open continuously, allowing you to work quickly and comfortably.



NORMACLAMP® COBRA Pneumatic pliers

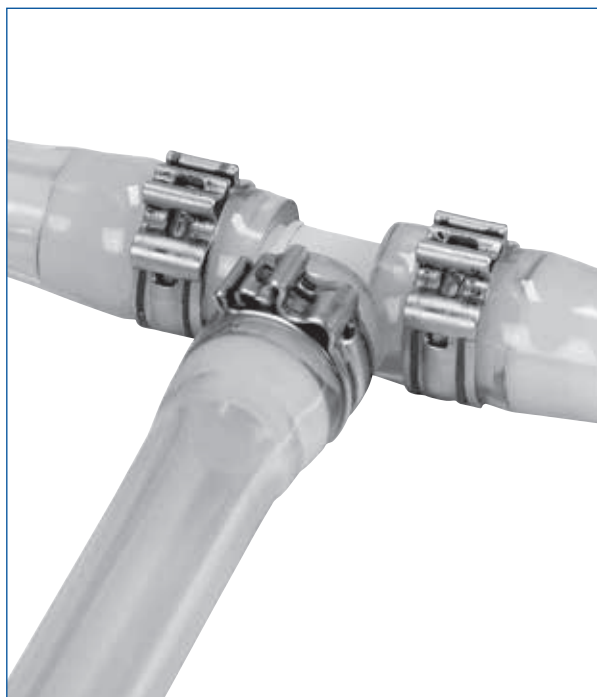
These pneumatically assisted pliers are available in a 0° version (see Fig. 1), a long version (Fig. 2) and a 90° version, and are the ideal installation tool for industrial applications, allowing serial installation work involving large quantities to be carried out with ease.



Sizes, band widths & materials

NORMACLAMP® COBRA					
Width	Designation	Clamping ranges		W4	Colour
		in mm	in inches		
7	COBRA 7.5/7 W4	8.0–9.0	5/16–3/8	X	White
	COBRA 8/7 W4	8.5–9.5	5/16–3/8	X	Yellow
	COBRA 8.5/7 W4	9.0–10.0	3/8–3/8	X	Green
	COBRA 9/7 W4	9.5–10.5	3/8–3/8	X	Purple
	COBRA 9.5/7 W4	10.0–11.0	3/8–7/16	X	Black
	COBRA 10/7 W4	10.5–11.5	3/8–7/16	X	White
	COBRA 10.5/7 W4	11.0–12.0	7/16–1/2	X	Yellow
	COBRA 11/7 W4	11.5–12.5	7/16–1/2	X	Green
	COBRA 11.5/7 W4	12.0–13.0	1/2–1/2	X	Purple
8	COBRA 11.5/8 W4	12.0–13.5	1/2–1/2	X	Purple
	COBRA 12/8 W4	12.5–14.0	1/2–9/16	X	Black
	COBRA 13/8 W4	13.5–15.0	1/2–5/8	X	Yellow
	COBRA 14/8 W4	14.5–16.0	9/16–5/8	X	Purple
	COBRA 15/8 W4	15.5–17.0	5/8–11/16	X	White
	COBRA 16/8 W4	16.5–18.0	5/8–3/4	X	Green
	COBRA 17/8 W4	17.5–19.0	11/16–3/4	X	Black
	COBRA 18/8 W4	18.5–20.0	3/4–13/16	X	Yellow
	COBRA 19/8 W4	19.5–21.0	3/4–13/16	X	Purple
	COBRA 20/8 W4	20.5–22.0	13/16–7/8	X	White
	COBRA 21/8 W4	21.5–23.0	13/16–7/8	X	Green
	COBRA 22/8 W4	22.5–24.0	7/8–15/16	X	Black
	COBRA 23/8 W4	23.5–25.0	7/8–1	X	Yellow
	COBRA 24/8 W4	24.5–26.0	15/16–1 1/16	X	Purple
	COBRA 25/8 W4	25.5–27.0	1–1 1/16	X	White
	COBRA 26/8 W4	26.5–28.0	1 1/16–1 1/8	X	Green
	COBRA 27/8 W4	27.5–29.0	1 1/16–1 1/8	X	Black
	COBRA 28/8 W4	28.5–30.0	1 1/8–1 3/16	X	Yellow
	COBRA 29/8 W4	29.5–31.0	1 1/8–1 1/4	X	Purple
	COBRA 30/8 W4	30.5–32.0	1 3/16–1 1/4	X	White

NORMACLAMP® COBRA



Assortment box

This workshop range is a clearly arranged collection of the most commonly used types of NORMACLAMP® COBRA hose clips in a practical plastic case (approx. 34x23x5 cm).

A workshop range comprises 500 NORMACLAMP® COBRA hose clips made from stainless nickel chromium steel and with band widths of 7 mm and 8 mm, sorted as follows:

- 30x COBRA 7.5/7
- 25x COBRA 8/7
- 25x COBRA 8.5/7
- 25x COBRA 9/7
- 25x COBRA 9.5/7
- 25x COBRA 10/7
- 25x COBRA 10.5/7
- 25x COBRA 11/7
- 25x COBRA 11.5/7
- 25x COBRA 12/8
- 30x COBRA 13/8
- 30x COBRA 14/8
- 30x COBRA 15/8
- 30x COBRA 16/8
- 30x COBRA 17/8
- 30x COBRA 18/8
- 30x COBRA 19/8
- 30x COBRA 21/8





NORMA Group

Postfach 11 49 · D-63461 Maintal
Edisonstraße 4 · D-63477 Maintal

Tel: +49 (61 81) 4 03-0
Fax: +49 (61 81) 4 03-210

www.normagroup.com
info@normagroup.com

This datasheet supersedes all previous issues. No part of this publication may be reproduced without our prior written consent. In NORMA Group's policy of continual product improvements to meet user needs and technological developments, all models and sets listed in this folder (photographs, specifications, sizes and weights) may be upgraded or discontinued without notice and without any obligation on our part to modify tools or equipment sold previously. The recommendations for use and safety given in this folder do not replace accepted good practice or the safety related legal and regulatory provisions. References to standards implemented at 01/02/2012 are not contractually binding.